

12v 20amp 240w LED Driver

DAZZLED



Performance

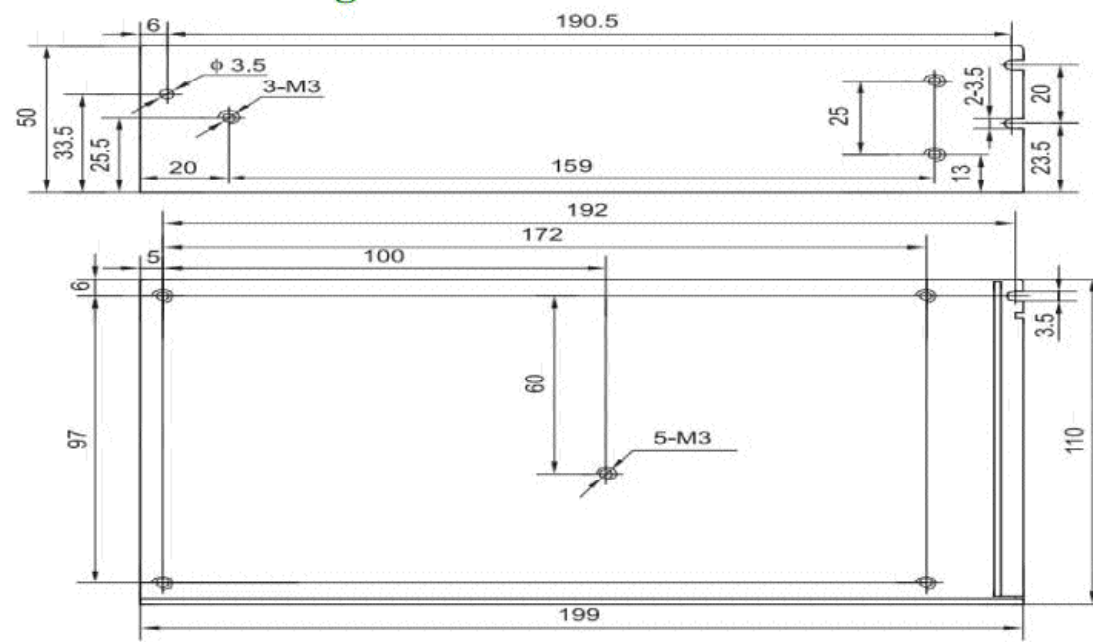
AC input voltage range	100~120/ 200~240VAC selected by switch
Input frequency	47~63Hz
Output Voltage	DC 12V
Output Max current	20A
Efficiency.....	>85%
No-waterproof	indoor use
Inrush current	cold start, 20A/115V, 40A/230V
Input leakage current	<0.7mA/ 230VAC
Line regulation (full load)	$\leq \pm 0.5\%$
Output voltage adjust range	$\pm 10\%$
Output over current protection	110~130%
Output over voltage protection	115~150%
Withstand voltage	I/P -O/P: 3.0KVAC/1min I/P -F/G: 1.5KVAC/1min O/P-F/G: 0.5KVAC/1min
Rise, Hold up time	50ms, 20ms@full load (typical)
Operating temp. & humidity	-10 ~+50 , 20%~93%RH (non condensing)
Storage temp. & humidity	-20 ~+85 , 20%~95%RH (non condensing)
Safety standards	GB4943, UL60950, EN60950
EMC standards	GB9254, EN55022 classB, EN55024

Main Features

★ General:

- AC input range selected by switch
- High reliability
- Over voltage protection
- Over current protection
- Short circuit protection
- 2 years warranty

Product Drawing:



★ Certificate:  

Ideals (GB) Limited
Unit 3 Brookside Centre
Sumpters Way
Southend
SS2 5RR

Tel: 01702 460855
Fax: 01702 460655

email: sales@idealsgb.co.uk
web: www.idealsgb.co.uk